

GKF111-MH Folding Door System

Door Width	Max. 450 mm
Door Height	Max. 2400 mm
Door Thickness	30 mm
Door Weight	Max. 10 kg/Door
Max. Overlay	24 mm
Aluminium Frame	Size: Door 30×60 mm, Frame 30×60 mm, 40×40 mm Groove Width: Door 8 mm, Frame 10 mm

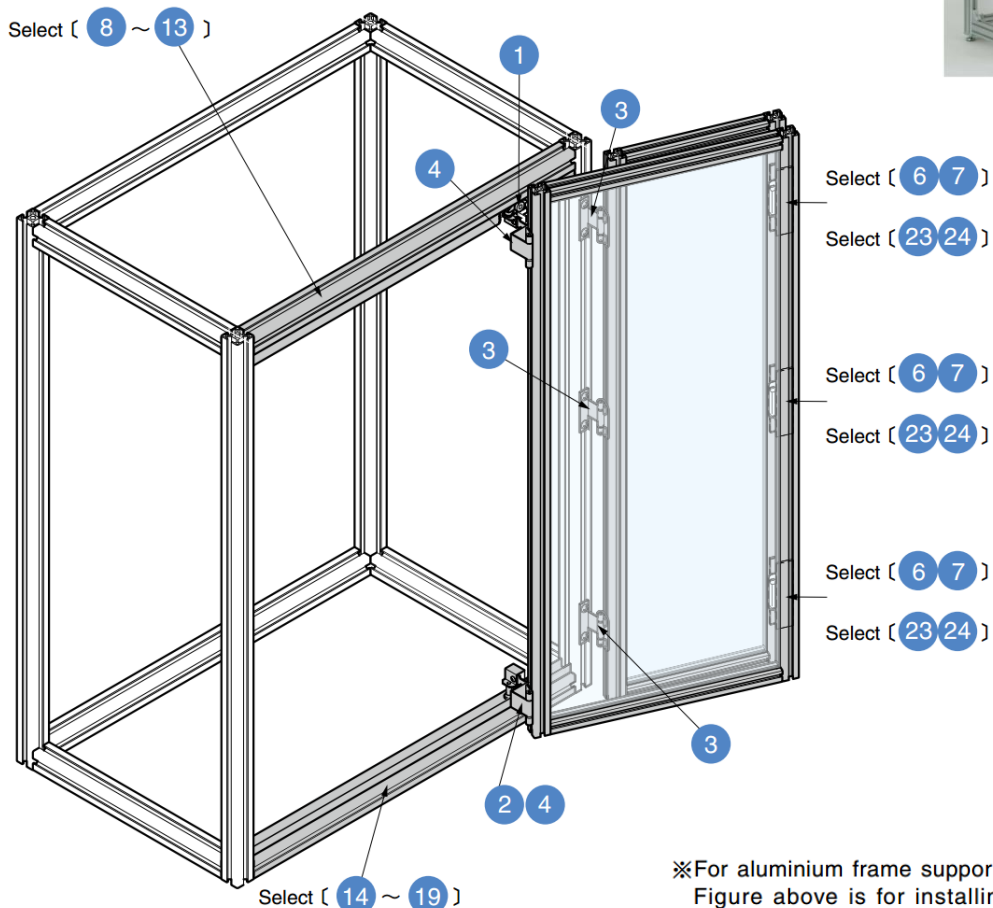
※Please make or prepare door and aluminium frame within the range above.

Features

- Folding door system with catch function
- Holding rollers at the top and bottom achieve smooth opening and closing
- For aluminium frame support system only
- Centre hinge has catch function to hold the door at closed position

Notes

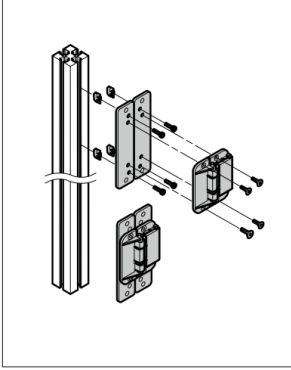
- Opening and closing of overweight doors may become heavy, do not exceed 10kg for large doors
- Aluminium frame not included



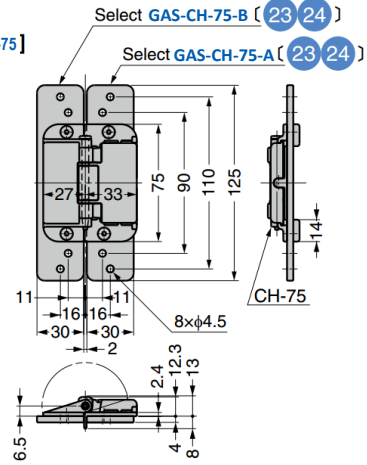
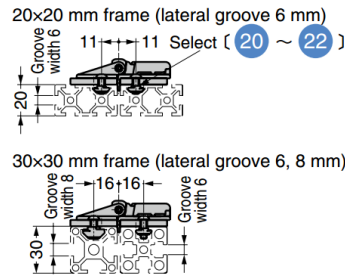
※For aluminium frame support system only.
Figure above is for installing to existing aluminium frame.

Installation

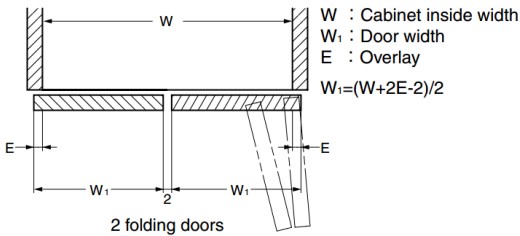
[Centre Hinge Installation]



[Installation Dimensions of Centre Hinge GCH-75]

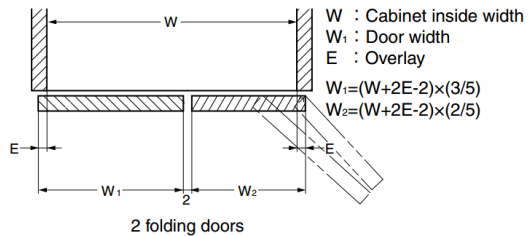


[Door Width Ratio 1: 1]

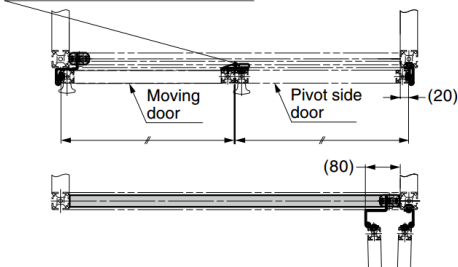


[Door Width Ratio 3: 2]

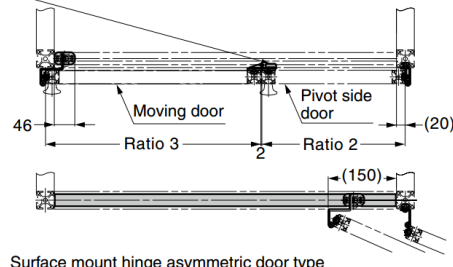
Minimum door projection when fully opened.



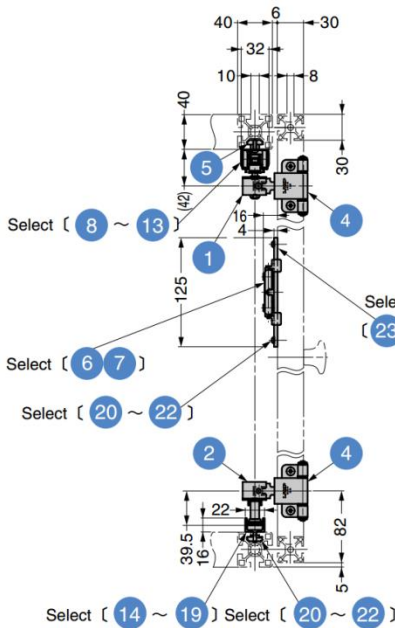
Installation of GCH-75 centre hinge
Install spring case to pivot side



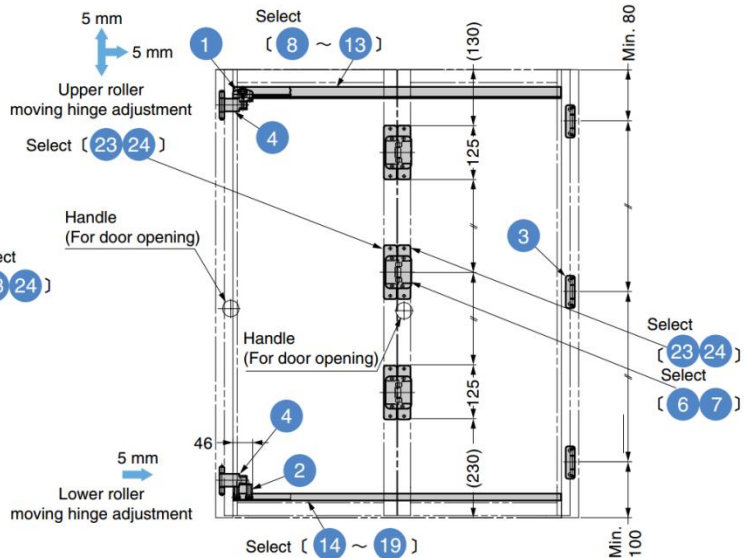
Installation of GCH-75 centre hinge
Install spring case to pivot side



Surface mount hinge asymmetric door type



Surface mount hinge type



※ For aluminium frame support system only. Figure above is for installing to existing aluminium frame.

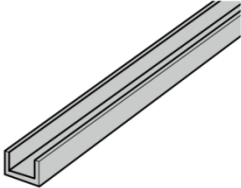
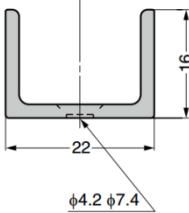
Roller, Hinge			Necessary Parts.		
No.	Part No.	Dimensions	No.	Part No.	Dimensions
1	GFD111-TRH	Upper Roller [Qty for 2 Doors] 1 set <ul style="list-style-type: none"> Material: Roller : POM, Roller Guide : POM, Roller Support : Steel, Hinge Bracket : Steel, Hinge : Zinc Alloy (ZDC) Finish: Plastic Parts: Natural, Steel Parts : Coloured Zinc Chromate, Hinge : Nickel 	3	GAS-OHT-68	Hanging Side Hinge [Qty for 2 Doors] Door Height 900 mm or Less: 2 pcs Door Height 1600 mm or Less: 3 pcs Door Height 2000 mm or Less: 4 pcs Door Height 2400 mm or Less: 5 pcs <ul style="list-style-type: none"> Material: Stainless Steel Finish: Barrel Polished
	GFD111-BRLH	Lower Roller L [Qty for 2 Doors] 1 set <ul style="list-style-type: none"> Material: Roller : POM (With Synthetic Rubber Ring), Hinge Bracket: Steel, Hinge: Zinc Alloy (ZDC) Finish: Plastic Parts: Natural, Steel Parts: Coloured Zinc Chromate, Hinge: Nickel 		GAS-OHS-68	Door End Side Hinge [Qty for 2 Doors] Door Height 2400 mm or Less: 2 pcs <ul style="list-style-type: none"> Material: Stainless Steel Finish: Barrel Polished

AS Nut for Upper Track Installation			Necessary Parts. M4 screws not included.		
No.	Part No.	Part Name			
5	GAS-10M4	AS Nut (For Groove Width 10 mm) [Necessary Qty] GFD111-910 Upper Track: 5 pcs GFD111-1220 Upper Track: 6 pcs GFD111-1820 Upper Track: 7 pcs GFD2216-910 Bottom Guide Track: 4 pcs GFD2216-1220 Bottom Guide Track: 5 pcs GFD2216-1820 Bottom Guide Track: 7 pcs <ul style="list-style-type: none"> Material: Stainless Steel (SUS316) Finish: Barrel Polished 			

Centre Hinge, Upper Track			Necessary Parts.					
			Please order necessary qty of centre hinges based on door size and qty. Please order necessary qty of upper tracks based on track length.					
No.	Type	Part No.	Dimensions	No.	Type	Part No.	Dimensions	
6	Nickel	GCH-75-NI	Centre Hinge [Qty for 2 Doors] Door Height 1600 mm or Less: 3 pcs Door Height 2400 mm or Less: 4 pcs	8	Silver Length 910 mm	GFD111-910-SIL	Upper Track Pitch End 15 mm	
7	Bronze	GCH-75-GB		9	Silver Length 1220 mm	GFD111-1220-SIL		
				10	Silver Length 1820 mm	GFD111-1820-SIL		
				11	Bronze Length 910 mm	GFD111-910-GB		
				12	Bronze Length 1220 mm	GFD111-1220-GB		
				13	Bronze Length 1820 mm	GFD111-1820-GB		
								<ul style="list-style-type: none"> Material: Aluminium Alloy Finish: Anodised ※Convex R-shaped travel surface is effective for dust removing .

Bottom Guide Track

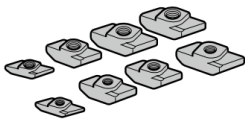
Necessary Parts. Please order necessary qty based on track length.

No.	Type	Part No.	Dimensions
14	Silver Length 910 mm	GFD2216-910-SIL	Bottom Guide Track   Pitch End 15 mm
15	Silver Length 1220 mm	GFD2216-1220-SIL	
16	Silver Length 1820 mm	GFD2216-1820-SIL	
17	Bronze Length 910 mm	GFD2216-910-GB	
18	Bronze Length 1220 mm	GFD2216-1220-GB	
19	Bronze Length 1820 mm	GFD2216-1820-GB	

● Material Aluminium Alloy
 ● Finish Anodised Clear

AS Nut

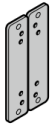
Necessary Parts. M4, M5 screws not included.

No.	Type	Part No.	Part Name															
20	Aluminium Frame Groove Width 8 mm M4	GAS-8M4	AS Nut  [Qty for 2 Doors] <table border="1" style="float: right;"> <thead> <tr> <th>GAS-8M4</th> <th>GAS-8M5</th> <th>GAS-10M5</th> </tr> </thead> <tbody> <tr> <td>Door Height 900 mm or Less: 12 pcs, 8 pcs, 4 pcs</td> <td></td> <td></td> </tr> <tr> <td>Door Height 1600 mm or Less: 12 pcs, 12 pcs, 6 pcs</td> <td></td> <td></td> </tr> <tr> <td>Door Height 2000 mm or Less: 16 pcs, 16 pcs, 8 pcs</td> <td></td> <td></td> </tr> <tr> <td>Door Height 2400 mm or Less: 16 pcs, 20 pcs, 10 pcs</td> <td></td> <td></td> </tr> </tbody> </table>	GAS-8M4	GAS-8M5	GAS-10M5	Door Height 900 mm or Less: 12 pcs, 8 pcs, 4 pcs			Door Height 1600 mm or Less: 12 pcs, 12 pcs, 6 pcs			Door Height 2000 mm or Less: 16 pcs, 16 pcs, 8 pcs			Door Height 2400 mm or Less: 16 pcs, 20 pcs, 10 pcs		
GAS-8M4	GAS-8M5	GAS-10M5																
Door Height 900 mm or Less: 12 pcs, 8 pcs, 4 pcs																		
Door Height 1600 mm or Less: 12 pcs, 12 pcs, 6 pcs																		
Door Height 2000 mm or Less: 16 pcs, 16 pcs, 8 pcs																		
Door Height 2400 mm or Less: 16 pcs, 20 pcs, 10 pcs																		
21	Aluminium Frame Groove Width 8 mm M5	GAS-8M5																
22	Aluminium Frame Groove Width 10 mm M5	GAS-10M5																

● Material Stainless Steel (SUS316)
 ● Finish Barrel Polished

Centre Hinge Bracket

Necessary Parts.

No.	Part No.	Dimensions
23	GAS-CH-75-A	Bracket for Centre Hinge  [Qty for 2 Doors] Door Height 1600 mm or Less: 23 3 pcs, 24 3 pcs Door Height 2400 mm or Less: 23 4 pcs, 24 4 pcs Y = 14 (GAS-CH-75-A) Y = 11 (GAS-CH-75-B) ※ GAS-CH-75-A is marked with "R", and GAS-CH-75-B marked with "L".
24	GAS-CH-75-B	

